

Clarke®



3 IN 1 ROLLER STAND

MODEL NO: CARS3IN1

PART NO: 6500983

OPERATION & MAINTENANCE INSTRUCTIONS

ORIGINAL INSTRUCTIONS

LS1117 - ISS 2

INTRODUCTION

Thank you for selecting this Clarke roller stand.

Read this manual before use and save it for future reference.

SAFETY

- Max load at min height (760 mm) - 60 kg.
- Max load at max height (1080 mm) - 45 kg.
- Make sure that the lock handle is properly tightened before use.
- Do not use the stand as a step ladder or scaffold.
- Never use the product if any parts are missing.

GUARANTEE

This roller stand is guaranteed against faulty manufacture for a period of 12 months from the date of purchase.

Please keep your receipt which will be required as proof of purchase.

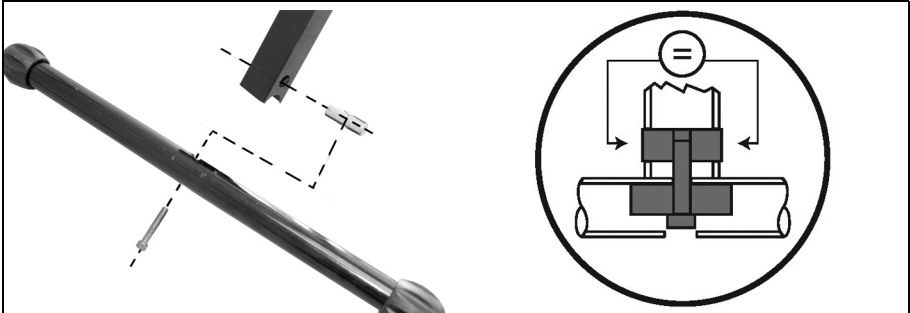
This guarantee is invalid if the roller stand has been abused, tampered with, or not used for its primary function.

Faulty goods must be returned to their place of purchase, no roller stand can be returned to us without prior permission.

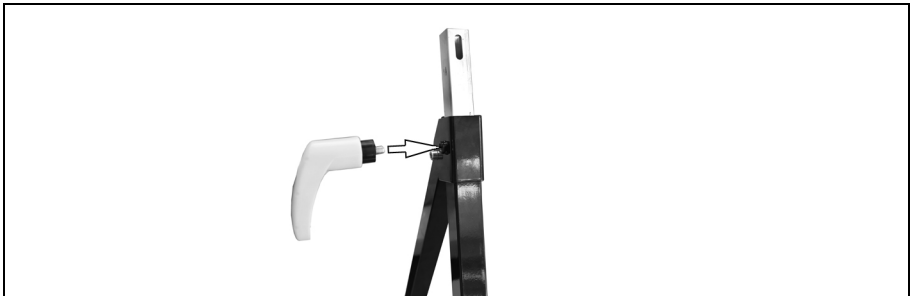
This guarantee does not effect your statutory rights.

ASSEMBLY

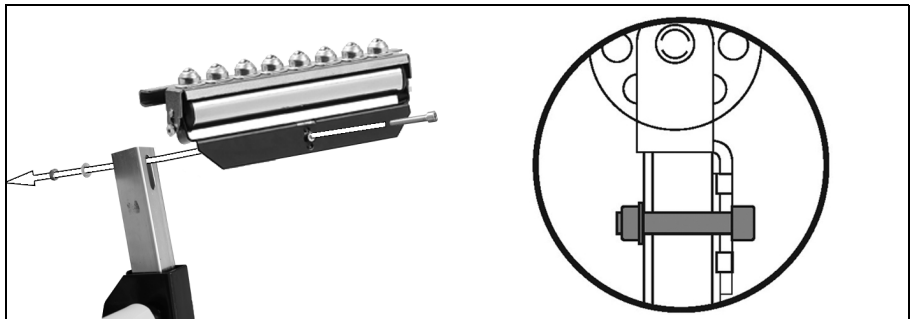
ATTACH THE FEET



ATTACH THE LOCK HANDLE



ATTACH THE ROLLER HEAD



HOW TO USE THE ROLLER STAND

1. Open the legs of the stand fully.
 - When feeding the workpiece over the roller stand, always feed it from the rear of the stand as shown on the right, this will increase the stability of the stand.



CONFIGURATION

There are 3 positions in which you can use this roller stand, simply rotate the head to the required position.

ROLLER

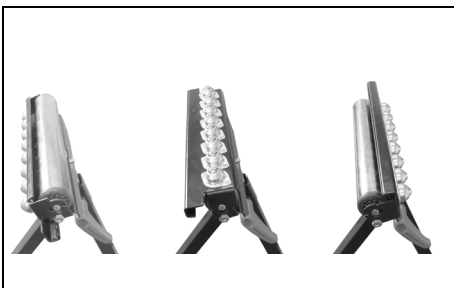
Allows the workpiece to be moved along one plane.

BALL ROLLER

Allows the workpiece to be moved along two planes.

STAND CONFIGURATION:

Provides basic support of the workpiece.



ADJUST THE HEIGHT

1. Rotate the lock handle counterclockwise to loosen the roller head.
2. Lift the roller head to the correct height (between 760 - 1080 mm).
3. Rotate the lock handle clockwise to lock the roller into position.

